



CONTROL VALVES
M A N U F A C T U R E R

EMAIL : controlengineering.mfg@gmail.com

CONTROL VALVE MANUFACTURER

- Control Engineering is an emerging manufacturer of high-quality control valves, driven by engineering precision and industrial reliability.

- The company is built on a strong foundation of technical understanding, innovation, and commitment to delivering performance-driven valve solutions for critical industrial applications.

- With a focus on accuracy, durability, and efficiency, Control Engineering aims to provide advanced flow control solutions that meet modern industry requirements. The firm is dedicated to continuous improvement, technological advancement, and maintaining high manufacturing standards to ensure consistent product excellence.

- Backed by a customer-centric approach and engineering expertise, Control Engineering is steadily growing as a trusted manufacturer in the control valve industry, delivering dependable and efficient solutions for industrial operations.

- GLOBE 2 WAY CONTROL VALVE
- GLOBE 3 WAY CONTROL VALVE
- BUTTERFLY CONTROL VALVE
- Pneumatic Rotary Actuator Operated 3 Pcs Ball



Chemical



Fertilizer



Power



Oil & Gas



Water Treatment



Pharma



Paper & Pulp



Steel



Cement



Innovation

Innovation is the introduction of new ideas, methods, or things. We must promote originality and encourage innovation.



Quality

Improving products, services, systems and processes, to making sure that the whole organisation is fit and effective.



Prompt Services

We are pleased to introducing ourselves as a professionally managed after sales, service provider company.

GLOBE 2 WAY CONTROL VALVE



DESIGN :	ASME B16.34.
VALVE SIZE :	1/2" to 12" (15 to 300mm)
RATING :	150# to 2500# ANSI.(Other Rating Available On Request)
END CONNECTION :	Flanged, Screwed, Butt weld, Socket weld.
MATERIAL :	Carbon steel, Stainless Steel, Alloy Steel, etc.(Other Material Available On Request)
BONNET :	Standard, Extended Finned Bonnet, Bellow Sealed.
TRIM FORMS :	Top guided Contoured, Micro flow needle, V-Ported (Balanced/Unbalanced), Low Noise Trim.
TRIM MATERIAL :	Stainless Steel, Alloy Steel, Stellite. (Other Material Available On Request)
FLOW CHAR. :	Equal Percentage, Linear and On/Off.
SEAT LEAKAGE :	Class III, IV, V, & VI (FCI-70.2) Standard Leakage Rates. Metal to Metal Seating Class IV-less than 0.01% of rated Cv. Metal to soft Seating Class VI-Bubble tight (Zero Leakage).
GLAND PACKING :	Grafoil or PTFE, Double Gland,(As Per Temperature).
ACTUATOR :	Pneumatic Diaphragm, Pneumatic Piston or Electrical.
ACCESSORIES :	Pneumatic Positioner, Electro Pneumatic Positioner, Limit Switch, SOV, Volume Booster, AFR, Position Transmitter, Air lock relay, IP Converter.

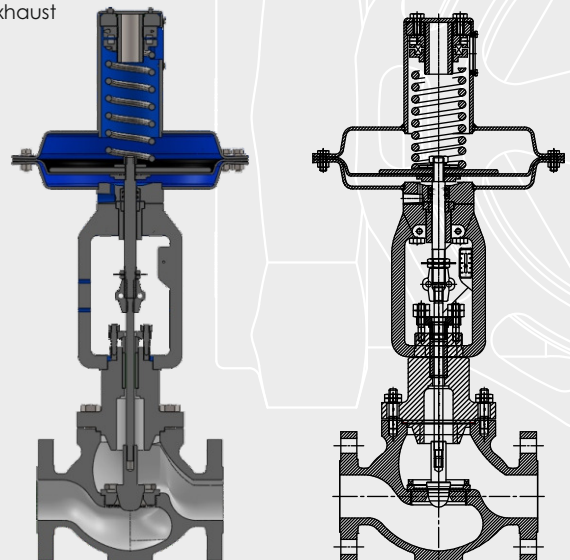


DESIGN AND FEATURES

- High flow capacity and rangeability.
- Top opening for easy trim inspection without disturbing insulation or piping connections.
- Positive guiding for correct trim alignment under all operating conditions.
- Bellow seals available for positive stem sealing.
- Wide selection of actuators to meet most system requirements.
- Accessories mounting - variety of access like valve positioner, Solenoid valve, Air filter regulator, Volume booster, Limit switch, position feedback transmitter, Quick exhaust valves, IP convertor etc. can be mounted easily.

QUALITY AND PERFORMANCE GUARANTEE

- Material certification available for all major component parts.
- Full guarantee on design and performance.
- All testing performance to the requirements of ASME B16.34.
- Tight closing for reliable control even when change in pressure / temperature are sudden and extreme.
- Comprehensively designed and tested to ensure its optimum performance for the tough process parameters specified.



GLOBE 3 WAY CONTROL VALVE



DESIGN :	ASME B16.34.
VALVE SIZE :	1/2" to 12" (15 to 300mm)
BODY FORM :	Globe 3 Way Port With Tail Piece.
RATING :	150# to 2500# ANSI (Other Rating Available On Request)
MATERIAL :	Carbon steel, Stainless Steel, Alloy Steel, Teflon lined etc. (Other Material Available On Request)
BONNET :	Standard, Extended Finned, Bellow Sealed.
TRIM FORMS :	Skirt guided, Trim with soft seated, Multihole plug trims.
FLOW :	Mixing And Diverting.
FLOW CHARA. :	Liner, On/Off
SEAT LEAKAGE :	Class III, IV, V, & VI (FCI-70.2) Standard Leakage Rates. Metal to Metal Seating Class IV-less than 0.01% of rated Cv. Metal to soft Seating Class VI-Bubble tight (Zero Leakage).
GLAND PACKING :	Grafoil or PTFE (As per Temperature)
ACTUATOR :	Pneumatic Diaphragm, Piston or Electrical.
ACCESSORIES :	Pneumatic Positioner, Electro Pneumatic Positioner, Limit Switch, SOV, Air lock relay, Volume Booster, AFR, Position Transmitter.

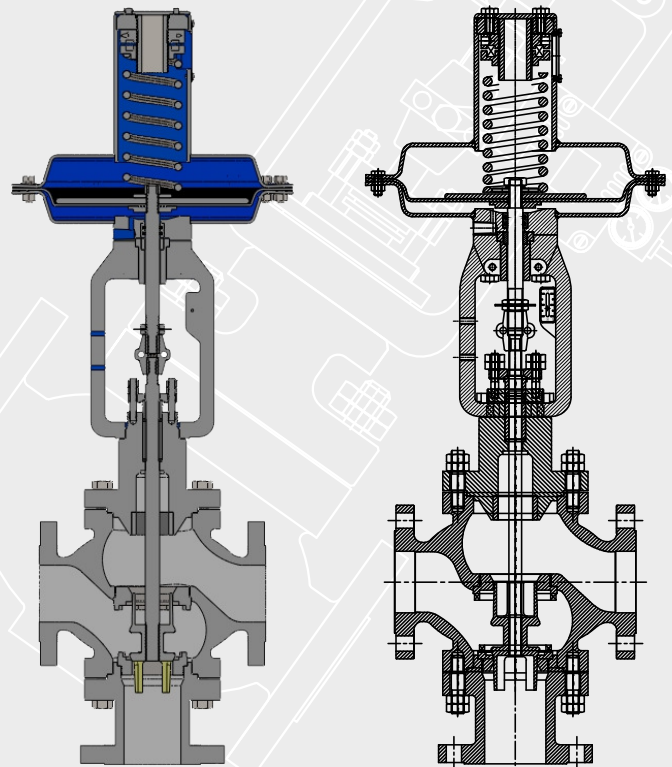


DESIGN AND FEATURES

- High Flow capacity and rangeability.
- Heavy Duty top guide with additional skirt guiding on the plug.
- Heavy Duty ground and polished stem.
- Wide range of interchangeable trim sizes.
- Bellow seal available for positive stem sealing.
- Comprehensively design and tested to ensure its optimum performance for the tough process parameters specified.
- Wide selection of actuators to meet most system requirements.
- All testing performance to the requirements of ASME 16.34

QUALITY AND PERFORMANCE GUARANTEE

- Material certification available for all major component parts.
- Full guarantee on design and performance.
- All testing performance to the requirements of ASME B16.34
- Tight closing for reliable control even when change in pressure / temperature are sudden and extreme.
- Comprehensively designed and tested to ensure its optimum performance for the tough process parameters specified.



BUTTERFLY CONTROL VALVE

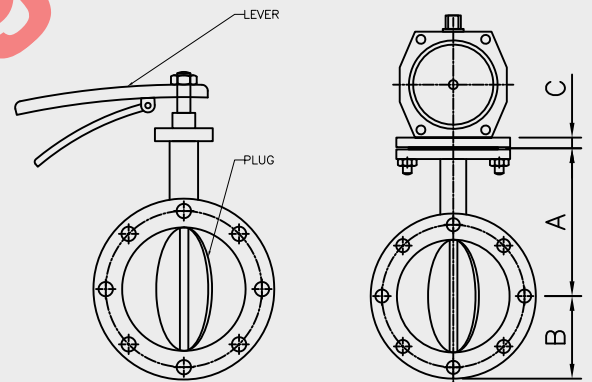


DESIGN :	Wafer, Flanged (BS:5155)
VALVE SIZE :	50 to 600mm (2" to 24")
BODY TYPE :	Double Offset, Centric.
RATING :	PN 10, PN 16, ASA 150 (Other On Request)
MATERIAL	
BODY	Carbon Steel, Stainless Steel, Teflon Lined etc.
VANE	Stainless Steel (Other On Request)
FLOW CHAR. :	On-Off / Throttling.
SEAT LEAKAGE :	VI (FCI-70.20).
GLAND PACKING :	PTFE V Ring, Grafoil (As Per Temperature).
ACTUATOR :	Diaphragm, Rotary & Electrical Actuator.
ACCESSORIES :	AFR, SOV, MOR, Gear Box, Limit switch & Position indicator.



DESIGN AND FEATURES

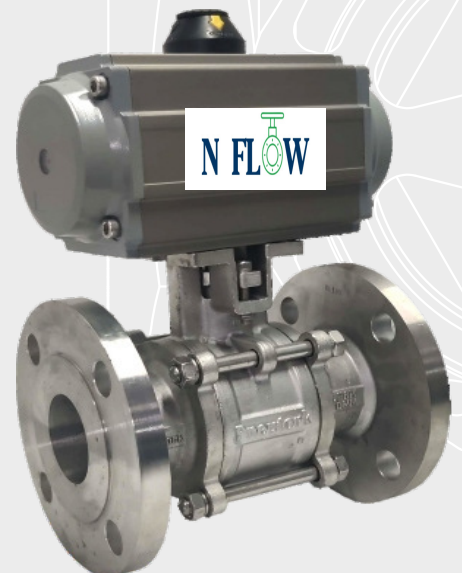
- Compact design, Low cost and maintenance free.
- Very high Cv to size ratio.
- Reliable smooth operation with assured product quality.
- Bubble tight shut off (Leakage Class-VI)
- Flow characteristic - throttling for modulating duty.
- Suitable for mount between ANSI/BS/DIN/Flanges.



Pneumatic Rotary Actuator Operated 3 Pcs Ball

N FLOW offers Standard pneumatic actuator operated investment casting WCB/CF8/CF8M ball valve in three piece design. Engineering for multiple ON/OFF operations in the down stream.

Size Range : ½" to 8" (15MM TO 200MM) More as per requirement





- Standard

Design & Manufacturing	:ASME B 16.34
Valve Face to Face Dimension	:ASME B .16.10
Flange Standard Conformity	:ASME B 16.5 Class 150# / 300#
Inspection & Testing	:API 598

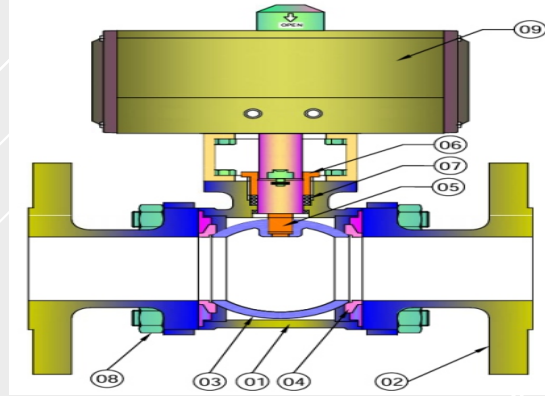
ITEM	TYPE OF TEST	TESTING PRESSURE	WORKING PRESSURE
Actuator	Pneumatic Bubble Test	115 PSIG	60 TO 115 PSIG
Valve body Screwed	Hydraulic	450 PSIG	315 PSIG
Valve body Flanged 150#	Hydraulic	450 PSIG	315 PSIG
Valve body Flanged 300#	Hydraulic	1125 PSIG	815 PSIG

Accessories

- On/Off Actuator
- NAMUR Standard solenoid valve in all standard coil voltage
- Pneumatic & Electro pneumatic valve positioner.
(Flame proof solenoid coil on request)
- Limit Switch for on/off indication at panel board.
- Declutchable Manual Over ride
- Air filter + Regulator combination with pressure Gauge
- Air Lock Valve

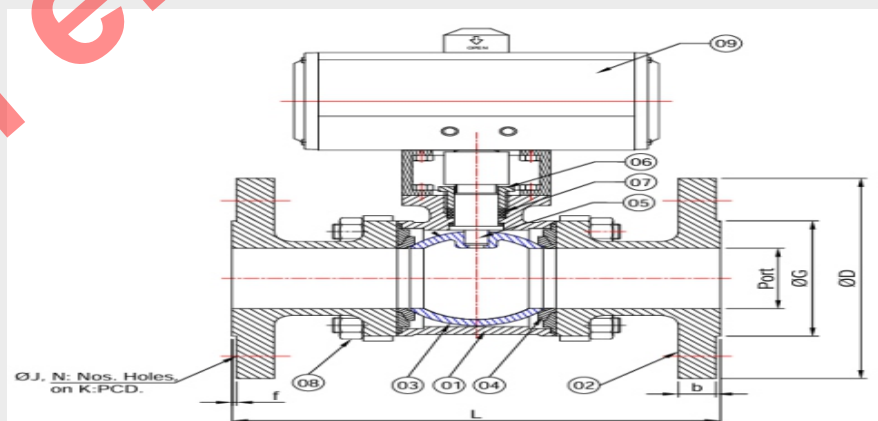
NO.	DESCRIPTION	MATERIAL
1	Body	WCB / S.S. 304 / S.S. 316
2	End Connector	WCB / S.S. 304 / S.S. 316
3	Ball	S.S. 304 / S.S. 316
4	Ball Seat	PTFE / CFT / GFT
5	Stem Pin	AISI 410 / S.S. 304 / S.S. 316
6	Gland With Bush	S.S. 304
7	Stem Seat	PTFE / CFT / GFT
8	Stud & Nut	M.S. / S.S.
9	Pneumatic Actuator	Standard

Dimension in mm



FLANGED END 150#

VALVE SIZE	PORT	SCREWED (L)	L1	ØD	b	Øg	f	PCD ±1.5mm
Tolerance	±1mm	±3mm	±3mm	±2mm	±2mm	±1mm	4	60.3
15 MM	1/2"	13	64	108	8	34.9	4	69.9
20 MM	3/4"	19	70	117	8.9	42.9	4	79.4
25 MM	1"	25	88	127	9.6	50.8	4	88.9
32 MM	1.1/4"	32	105	140	11.2	63.9	4	98.4
40 MM	1.1/2"	38	114	165	12.7	73	4	120.7
50 MM	2"	49	130	178	14.3	92.1	4	139.7
65 MM	2.1/2"	62	170	190	15.9	104.8	4	152.4
80 MM	3"	74	200	209	17.5	127	4	190.5
100 MM	4"	100	210	229	22.3	157.2	8	215.9
125 MM	5"	125	254	255	22.3	187.7	8	241.3
150 MM	6"	150	267	280	23.9	215.9	8	298.5



FLANGED END 300#

VALVE SIZE	PORT	(L)	ØD	b	Øg	F	PCD ±1.5mm	
Tolerance	±1mm	±3mm	±2mm	±2mm	±1mm	4	66.7	
15 MM	1/2"	13	140	95	12.7	34.9	4	82.6
20 MM	3/4"	19	152	115	14.3	42.9	4	88.9
25 MM	1"	25	165	125	15.9	50.8	4	98.4
32 MM	1.1/4"	32	178	135	17.5	63.5	4	114.3
40 MM	1.1/2"	38	190	155	19.1	73	8	127
50 MM	2"	49	216	165	20.7	92.1	8	149.2
65 MM	2.1/2"	62	241	190	23.9	104.8	8	168.3
80 MM	3"	74	282	210	27	127	8	200
100 MM	4"	100	308	255	30.2	157.2	8	235
150 MM	6"	150	403	320	35	215.9	12	269.9
200 MM	8"	201	419	380	39.7	265.9	12	330.2

CONTACT US

CONTROL ENGINEERING

ADDRESS :- Next to AL FAZAL Market, Narol -Sarkhej RD, Near Asopalav Hotel,
Narolgam, Ahmedabad, Gujarat 382405

Sales Executive :- +91 9870014192

Senior Sales Manager :- +91 9974214669

Chief Operating Officer :- +91 9825507033

MAIL ID :- controlengineering.mfg@gmail.com

Control engineering